

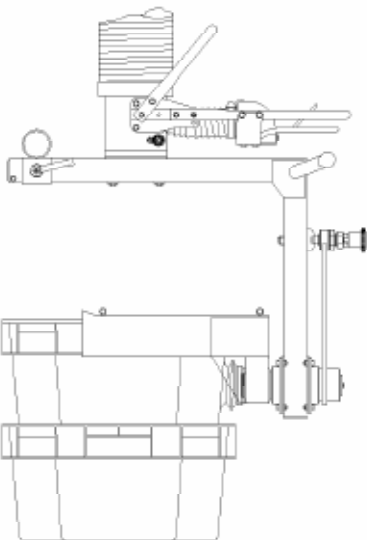
# 5071 Vacuum lifter for crate turner tool

## CRATE TURNER TOOL

Project number: 5071

Lifting: Plastic crates  
Used with: VacuEasylift VM120  
stainless steel  
Max capacity, this version: 40 kg

Stainless steel crate lifter for VacuEasylift VM120. Rotatable through 360 degrees with one fixed position. Suction cups 2x DIA 78 mm kepp crate in fixed position through emptying action. Operator facing alongside the crate. Used to empty various contents into containers in the manufacturing process.



Would you like to see the lifting sequence described above demonstrated "live"?

<< Video crate turner 5071  
(or go to [www.tawi.com](http://www.tawi.com):  
DOWNLOAD)

**TAWI**  
VacuEasylift

Box 10205 434 23 KUNGSBACKA Sweden  
Tel +46 300 185 00  
info@tawi.se  
[www.TAWI.com](http://www.TAWI.com)