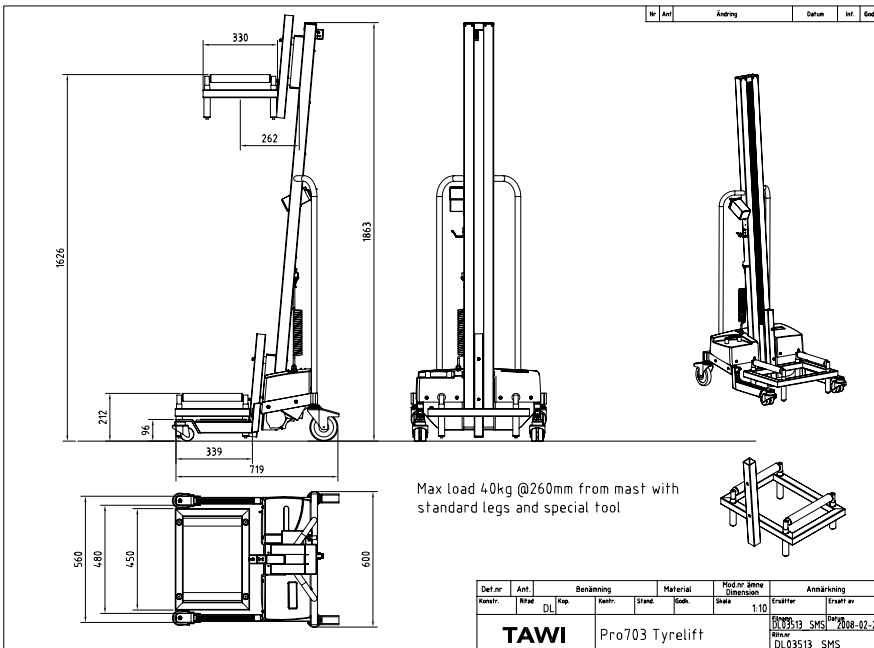


Protema tire lifter



Tire lifter for the automobile industry

The tire lifter tool is mostly used with our electric trolley Protema PRO70. The tool capacity is 40 kg with standard legs and load centre placed 260 mm from mast. These parameters can be customised, of course, to adapt to other weights and dimensions. A counterweight unit is sometimes used when there is no passageway for the legs.



TAWI
Protema

Box 10205 434 23 KUNGSBACKA Sweden
Tel +46 300 185 00
info@tawi.se
www.TAWI.com